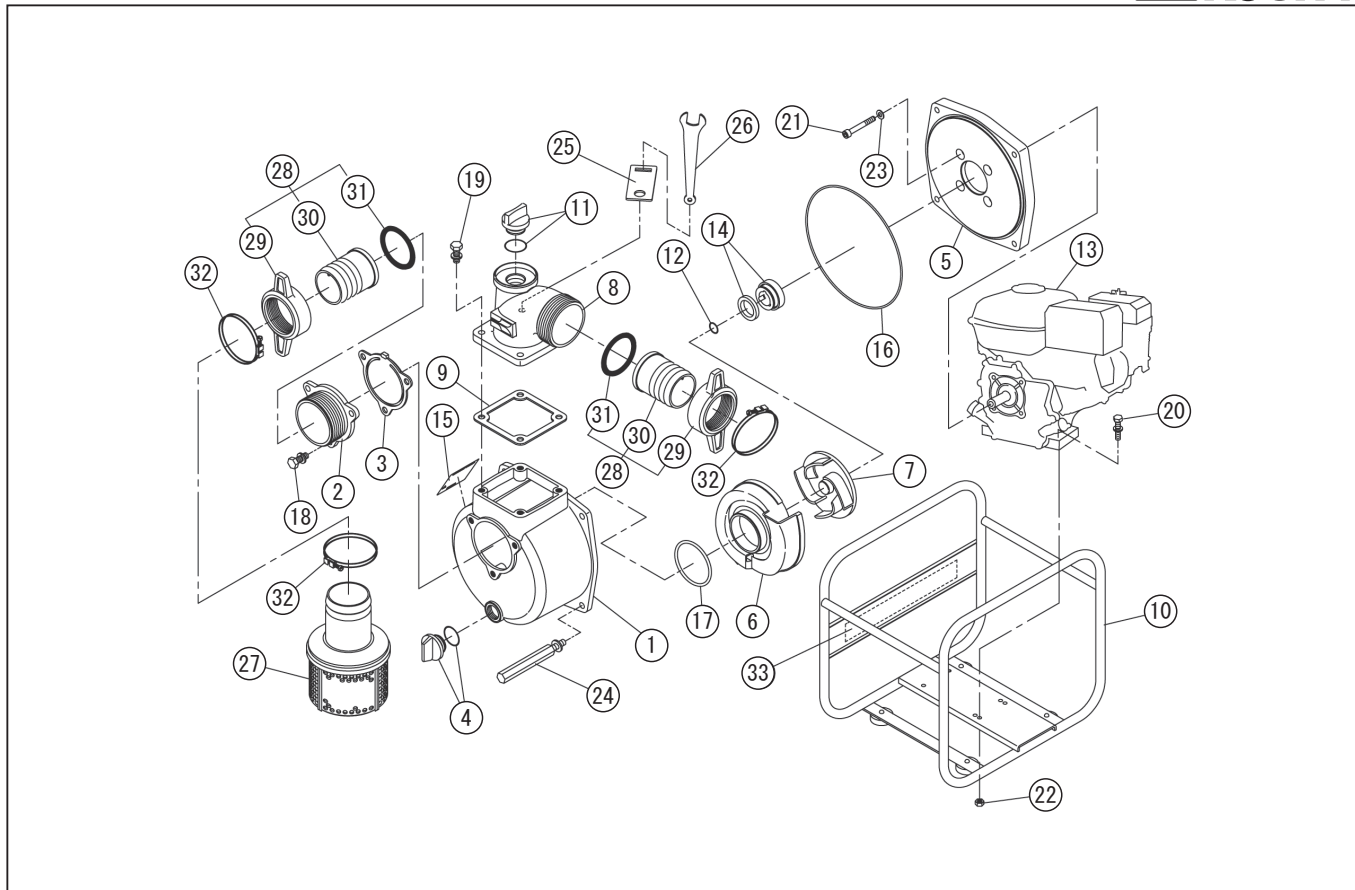


DWG No.012912207 MODELE : STV-80X FORM : STV-80X-BAA-2(K180-D2)

No.	PARTS CODE	PARTS NAME	QTY	MATERIAL/SIZE	REMARKS
1	0120196	PUMP CASING	1	ADC "MADE IN JAPAN"	
2	0112797	SUCTION FRANGE	1	ADC	
3	0112799	CHECK VALVE	1	NBR	
4	0118078	20A PLUG SET	1		
5	0120931	FLANGE BRACKET	1	ADC	
6	0115541	VOLUTE CASING	1	FCD450	
7	0115539	IMPELLER	1	FCD450	
8	0110570	DELIVERY FLANGE	1	ADC	
9	0110584	FLANGE PACKING	1	CR	
10	0128367	BASE SET	1		
11	0118079	25A PLUG SET	1		
12	0110491	IMPELLER ADJUSTING WASHER	3	BSP1 T0.3	
13	0121273	K180-D2 ENGINE	1	EPA/EU OA EU	
14	0115159	SEH-50T MECHANICAL SEAL	1	HJ-20(B)BSIC	
15	0121417	NAME PLATE	1		
16	0115015	O-RING 1517-46.5	1	1517-46.5 NBR	
17	0113989	O-RING P74	1	P74 NBR	
18	743119061	BOLT	3	M10×25 SWRM	
19	743119063	BOLT	4	M10×30 SWRM	
20	743119053	BOLT	4	M8×40 SWRM	
21	734532075	SOCKET BOLT	4	M8×55SCM CS	
22	827419008	NUT	4	M8 SWRM	
23	854255008	SEAL WASHER	4	φ8	
24	0115542	LONG BOLT M10X160	4	M10×160	
25	0115588	SPANNER HOLDER 17MM	1		
26	0115589	SPANNER 17MM	1	17MM	
27	0113242	STRAINER	1	SPC	
28	0127125	COUPLING SET	2		
29	0122500	COUPLING	2	ABS	
30	0122501	NIPPLE	2	ABS	

♦ Bare engine can not be supplied



DWG No.012912207 MODELE : STV-80X FORM : STV-80X-BAA-2(K180-D2)

No.	PARTS CODE	PARTS NAME	QTY	MATERIAL/SIZE	REMARKS
31	0114378	COUPLING PACKING	2	NBR.HS65±5	
32	940019090	HOSE BAND	3	φ 90	
33	0114713	CAUTION LABEL	1		
34	0116283	EU NOISE LABEL(105)	1		
35	0115652	CE MARK LABEL	1		
36	0120428	SIDE PANEL LABEL	1		

◆ Bare engine can not be supplied