

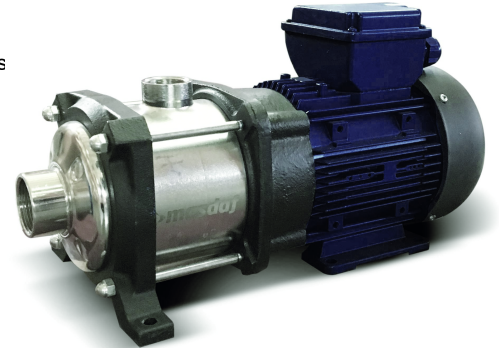
**Customer****Supplier**

Company name  
Editor  
Phone number  
E-mail

**Fields of Application**

For pumping of thin, clean, non-aggressive and non-explosive liquids free from s

Water supply systems  
Booster sets in low storey buildings  
Water treatment systems  
Industrial facilities for process water  
Sanitary and cleaning installations  
Irrigation plants

**Design Specification**

HexaLite series pumps is a horizontal axis, ring section design multistage centrifugal pump of non-sen priming type. All of pump components in contact with liquid are made of stainless steel material and the pump is driven with a standard electric motor.

The pressure-resistant casing and the components which fluid is flowing through are anchored by using casing studs between top side and bottom side of the pump.

While suction nozzle is located front side of the pump, discharge nozzle is located top side of the pump .

When viewed from driver side, rotation of direction is clockwise .

**Technical Data**

Flow Range (Q)	: 1 - 7 m <sup>3</sup> /h
Head Range (Hm)	: 25 - 100 m
Speed Range	: 2900 rpm
Temperature Range	: 0 - 40 °C

**Bearings**

There is no ball bearing on the pump. However, motor bearings carry the axial load occurring in the pump.

**Shaft Seal**

In HexaLite series pumps, mechanical seals are used for sealing.

**Customer**
**Supplier**

Company name  
Editor  
Phone number  
E-mail

**Operating data specification**

Pumped fluid	Water		Rated flow		m <sup>3</sup> /h
Solids			Rated head		m
Kind			Geodetic head		m
Percentage of solid content	0		Available system NPSH		m
pH value			Inlet pressure (pin)	0	kPa
Temperature	20	°C	Altitude above sea level	100	m
Density	998.3	kg/m <sup>3</sup>	Max. operating pressure	949	kPa
Kin. viscosity	1.005	mm <sup>2</sup> /s	Max. diff. pressure	949	kPa
Vapour pressure	2.34	kPa			

**Pump**

Make	MAS DAF		Impeller type		
Pump type	HexaLite 2/10		Impeller construction		
Frame size	2		Impeller Ø		
Design			Max.	81	mm
Self priming	<input checked="" type="checkbox"/> No		designed	81	mm
Speed	2850	1/min	Min.	81	mm
Stages	10		Flow		
Suction port			Nominal	2.75	m <sup>3</sup> /h
Pressure rating			Max.	3.4	m <sup>3</sup> /h
Nominal pipe size			Min.	0	m <sup>3</sup> /h
Standard			Head		
Discharge port			Nominal	61.4	m
Pressure rating			Min.	44.2	m
Nominal pipe size			Max.	96.9	m
Standard			Shut off head	96.9	m
Shaft power		kW	NPSH3		m
Shaft power P2(Q=max.)	1	kW	Efficiency		%

**Motor**

Make/Type	1.1 KW-2900 RPM / 80	
Specific design	- / 50 Hz / Pole pairs 1	
Rated power	1.1	kW
Electric voltage	1~ 230	V
Speed	2880	1/min
Electric current	7	A
Frame size	80	
Degree of protection	IP 55	
Type of protection		
Explosion protection		

**Coupling**

Make/Type	
Series	
Spacer length	mm
Frame size	

**Materials**

Pump		Shaft seal	AQ1EGG
Discharge Casing	X14CrMoS17/AISI 430	Material code	AQ1EGG
Suction Casing	X14CrMoS17/AISI 430	Seal face	Carbon graphite antimony impregnated (A)
Thrust Plate	GJL-250 (GG25)	Seat	Silicon carbide (Q1, eSiC-Q7)
Impeller	X14CrMoS17/AISI 430	Elastomer	EPDM (E)
Shaft	X14CrMoS17/AISI 430	Metal parts	CrNiMo steel (G)

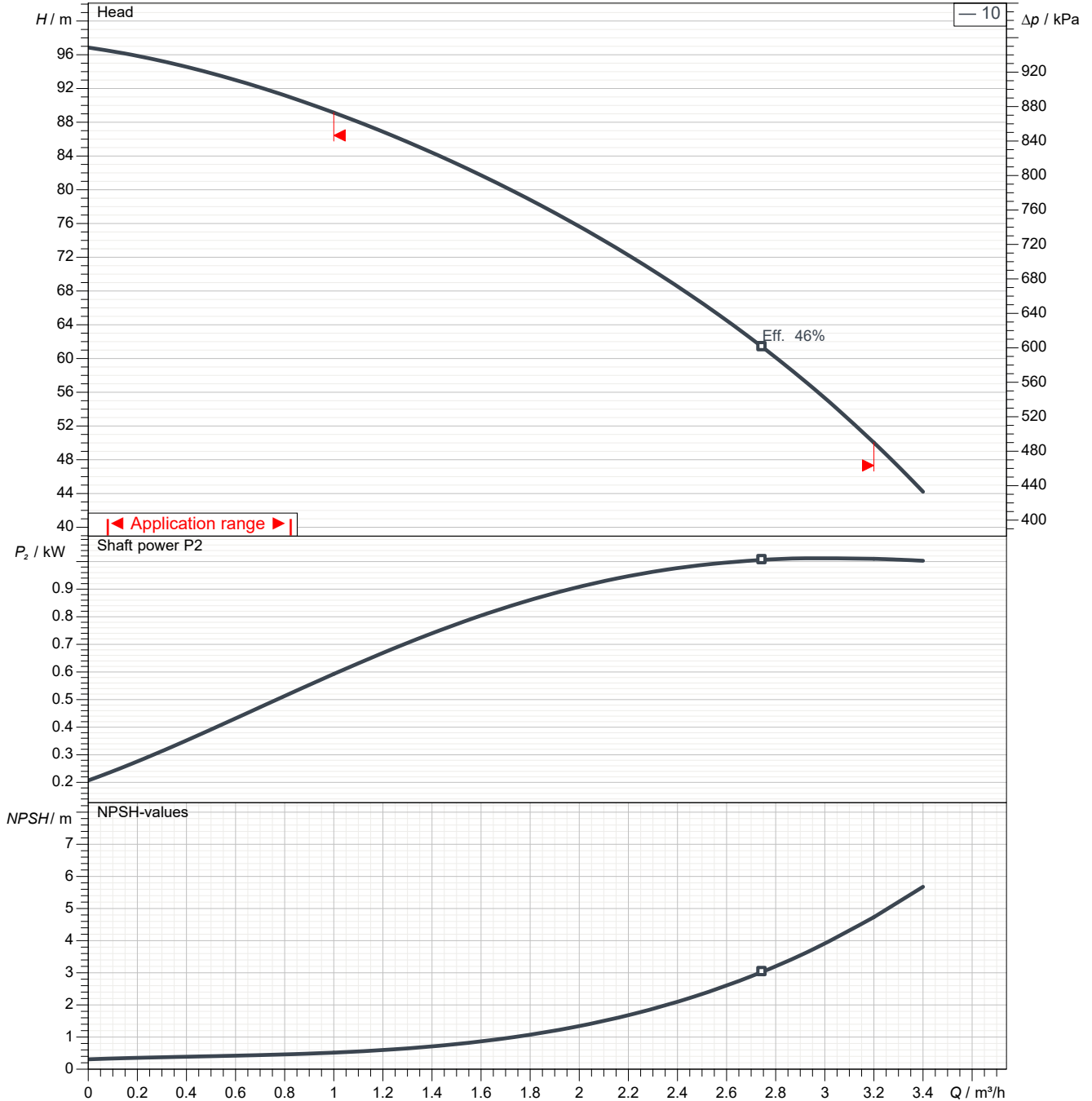
Customer

Supplier

Company name  
Editor  
Phone number  
E-mail

Power data referred to: Water; 20°C; 998.3kg/m<sup>3</sup>; 1.005mm<sup>2</sup>/s      Sense of rotation      Clockwise from the drive end

Missing or invalid parameter (REFDIAM)



Pump curves in accordance with ISO 9906 2B

Pumped fluid	Water		Rated flow	m <sup>3</sup> /h
Temperature	20	°C	Rated head	m
Density	998.3	kg/m <sup>3</sup>	Shaft power	kW
Kin. viscosity	1.005	mm <sup>2</sup> /s	Speed	2850 1/min
Vapour pressure	2.34	kPa	NPSH3	m
Impeller Ø	81	mm	Efficiency	%

Subject to change

Projec

Issue date  
2022-04-11

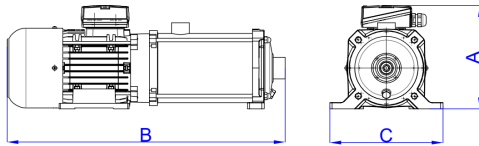
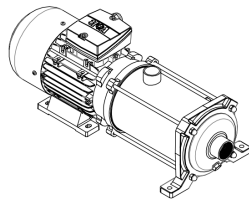
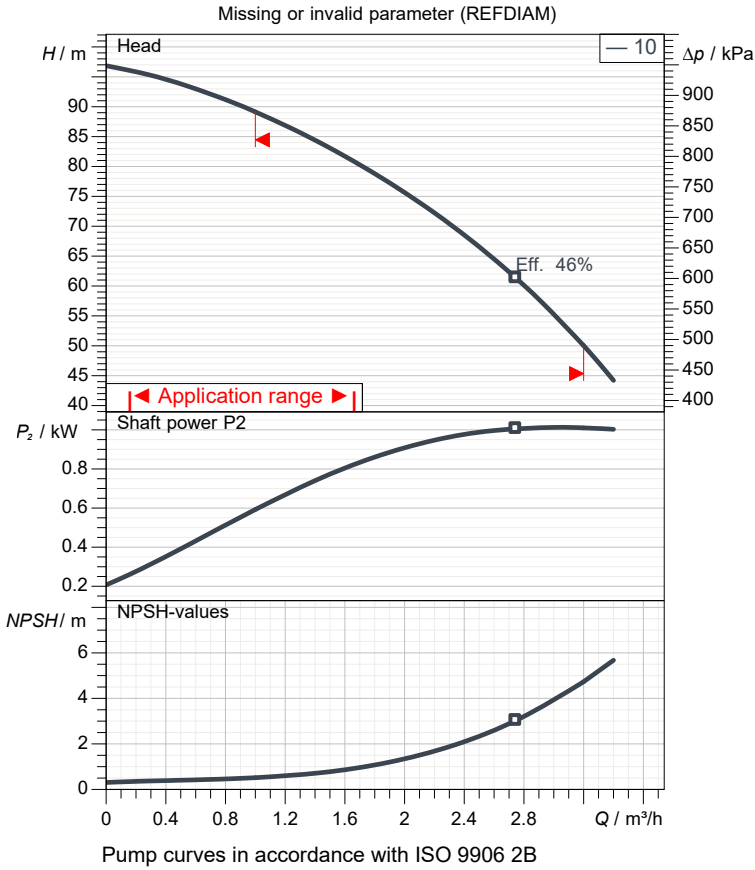
Last update  
2022-04-11

Customer

Supplier

Company name  
Editor  
Phone number  
E-mail

**Performance curves**



Dimensions	mm
A	220
B	540
C	200

**Pump**

Make	MAS DAF
Pump type	HexaLite 2/10
Design	
Suction port	
Pressure rating	
Nominal pipe size	
Standard	
Discharge port	
Pressure rating	
Nominal pipe size	
Standard	

**Operating data specification**

Pumped fluid	Water	
Temperature	20	°C
Density	998.3	kg/m <sup>3</sup>
Kin. viscosity	1.005	mm <sup>2</sup> /s
Vapour pressure	2.34	kPa
Rated flow		m <sup>3</sup> /h
Rated head		m
Shaft power		kW
Speed	2850	1/min
NPSH3		m
Efficiency		%
Impeller Ø	81	mm

**Motor**

Make/Type	1.1 KW-2900 RPM / 80
Specific design	- / 50 Hz / Pole pairs 1
Rated power	1.1 kW
Speed	2880 1/min
Electric voltage	1~ 230 V
Electric current	7 A
Degree of protection	IP 55

**Materials**

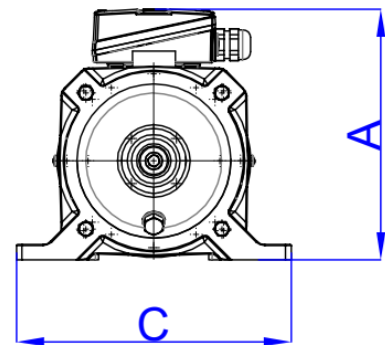
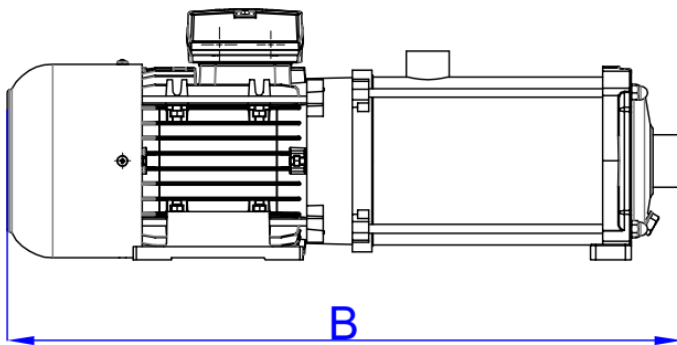
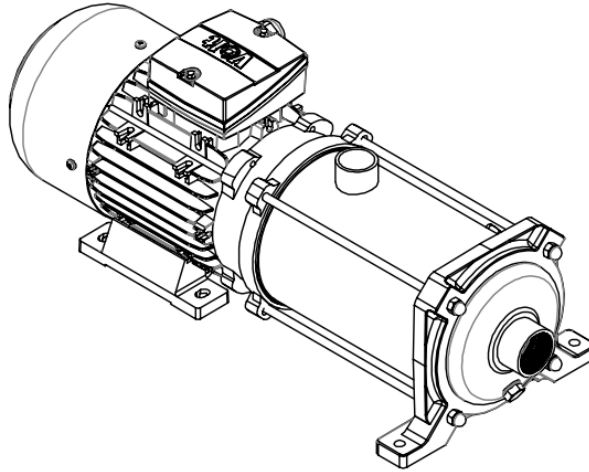
Shaft seal	AQ1EGG
Material code	AQ1EGG
Seal face	Carbon graphite antimony impregnated (A)
Seat	Silicon carbide (Q1, eSiC-Q7)
Elastomer	EPDM (E)
Metal parts	CrNiMo steel (G)

Discharge Casing	X14CrMoS17/AISI 430
Suction Casing	X14CrMoS17/AISI 430
Thrust Plate	GJL-250 (GG25)
Impeller	X14CrMoS17/AISI 430
Shaft	X14CrMoS17/AISI 430

Customer

Supplier

Company name  
Editor  
Phone number  
E-mail



Dimensions	mm	Inlet / outlet	
A	220	Suction port	Discharge port
B	540		
C	200		

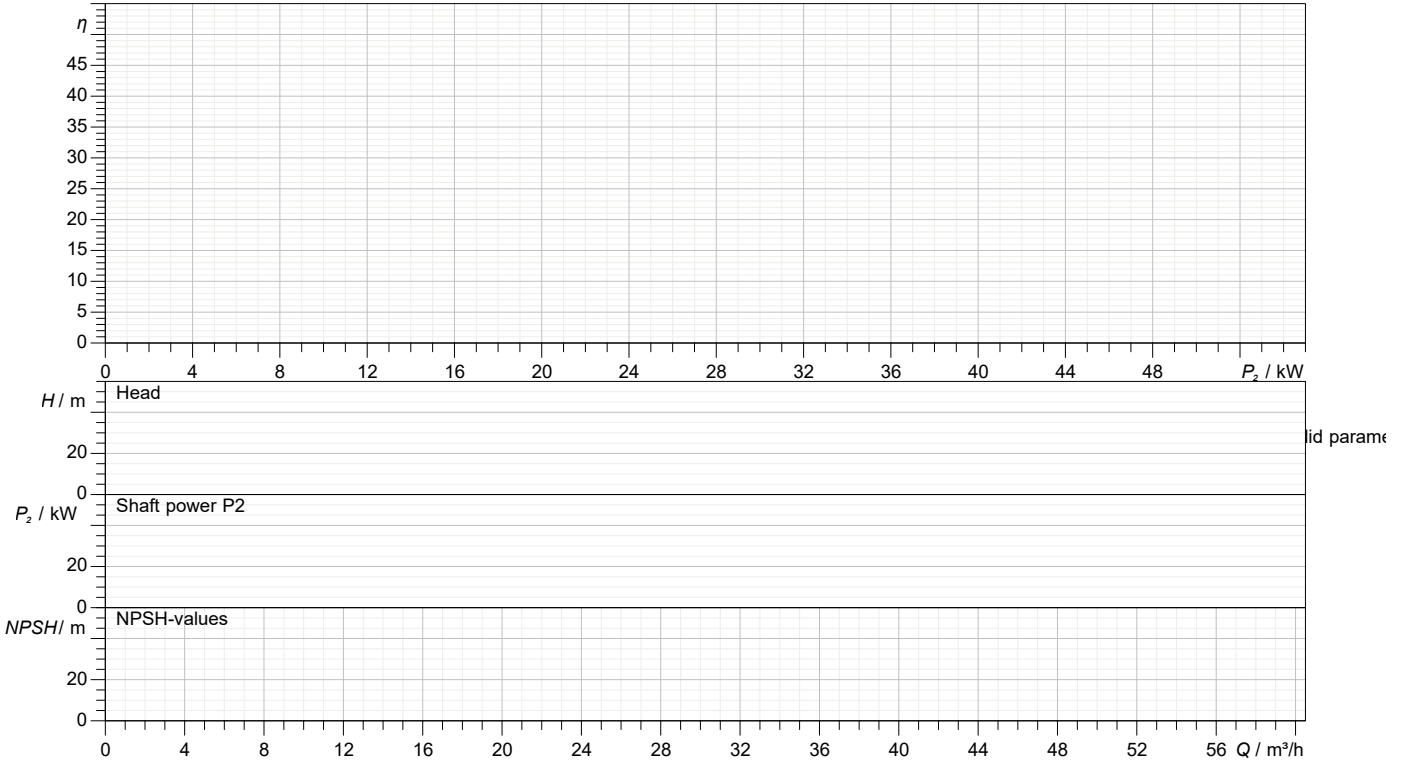
Customer

Supplier

Company name  
Editor  
Phone number  
E-mail

**motor data**

Missing or invalid parameter (REFDIAM)



Symbol	No load	25 %	50 %	75 %	100 %	125 %
--------	---------	------	------	------	-------	-------

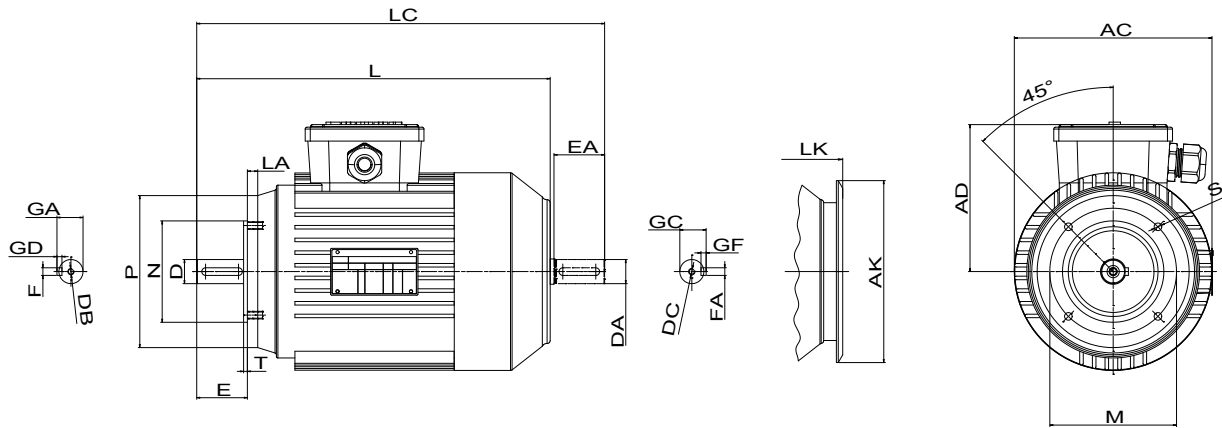
**Motor**

Make/Type	1.1 KW-2900 RPM / 80	Degree of protection	IP 55
Specific design	- / 50 Hz / Pole pairs 1	Type of protection	
Rated power	1.1 kW	Explosion protection	
Electric voltage	1~ 230 V	Service factor	1.15
Number of poles		Starting current	
Speed	2880 1/min	Starting torque	
Electric current	7 A	Moment of inertia	
Power factor	0.95	No. starts per hour	
Frame size	80	Rated torque	3.65 Nm
Efficiency class	-	Insulation class	F (155C°)

Customer

Supplier

Company name  
Editor  
Phone number  
E-mail



Dimensions	mm		
AC	-	LC	324
AD	118	LK	308
AK	151	M	130
D	19	N	110
DA	19	P	160
DB	M6	S	M8
DC	M6	T	3.5
E	40		
EA	40		
FxGF	6X6		
FxGD	6X6		
GA	21.5		
GC	21.5		
L	279		
LA	16		



**Flange connections**  
HexaLite 2/10

Revision number

Page  
8

**Customer**

**Supplier**

Company name  
Editor  
Phone number  
E-mail

**Suction connection**

**Discharge connection**

**Dimensions**      **mm**

**Dimensions**      **mm**

**Subject to change**

Projec

Issue date  
2022-04-11

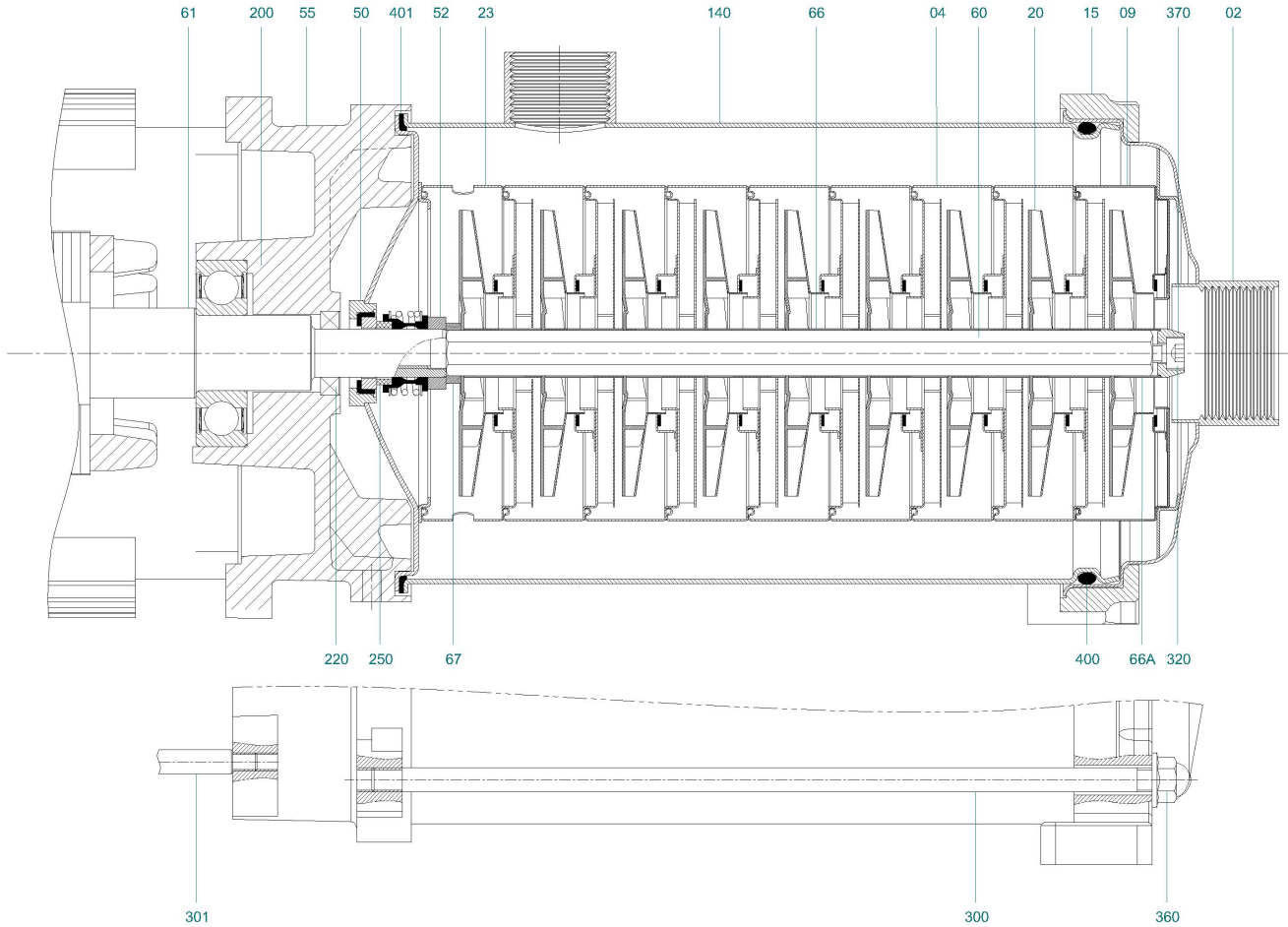
Last update  
2022-04-11



Customer

Supplier

Company name  
Editor  
Phone number  
E-mail



Part No	Part Name	Part No	Part Name	Part No	Part Name
2	Front Case Cover (Suction)	60	Pump Shaft	250	Mechanical Seal
4	Diffuser Stage	61	Motor Shaft	300	Stud
9	Inlet Stage	66	Spacer Bushing (Impeller)	301	Stud (Motor)
15	Thrust Plate	66A	Integration Bush (Length)	320	Imbus Bolt
20	Impeller	67	Fastening Washer (Shaft)	360	Nut
23	Outlet Stage	140	Shield	370	Washer (Impeller)
50	Sealing Bearing	200	Deep Groove Ball Bearing	400	O-Ring
52	Mechanical Seal Press Bush	220	Oil Seal	401	Rubber Gasket
55	Engine Cover				



**Spare part list**  
HexaLite 2/10

Revision number

Page  
10

Company name  
Editor  
Phone number  
E-mail

**Customer**

**Supplier**

**Subject to change**

Projec

Issue date  
2022-04-11

Last update  
2022-04-11