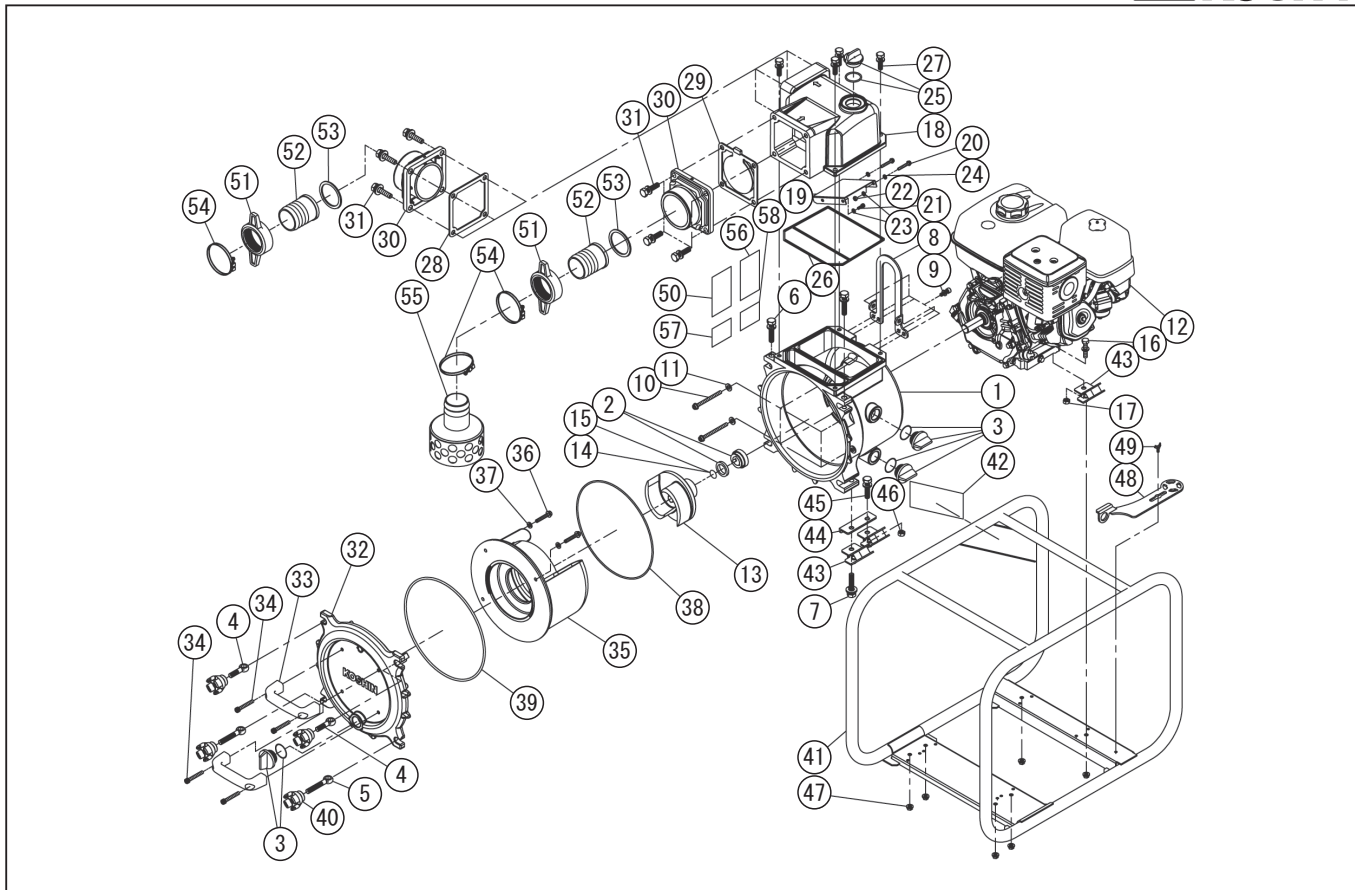


DWG No.066864106 MODEL : KTH-100S FORM : KTH-100S-BAB-0(GX390UT2)

No.	PARTS CODE	PARTS NAME	QTY	MATERIAL/SIZE	REMARKS
1	0121442	PUMP CASING	1	ADC	
2	0115678	KTH-80X MECHANICAL SEAL	1	HJ-25(B)BSIC	
3	0118079	25A PLUG SET	3		
4	0121843	COVER BOLT S	2	S35C	
5	0121844	COVER BOLT L	2	S35C	
6	743119083	BOLT	2	SWRM M12×45	
7	743119085	BOLT	2	M12*55 SWRM	
8	0121455	FOOK PLATE	1	SPC	
9	734614090	BOLT	6	M10×25 SWRCH 8.8T	
10	0121925	BOLT	4	M10*P1.25*50 SCM	
11	0121915	WASHER	4	A1100 PH14	
12	0121910	ENGINE	1	HONDA OA(GX390UT2-PKT)	
13	0121436	IMPELLER	1	HICR	
14	0110561	ADJUSTING WASHER	3	BSP	
15	0116405	ADJUSTING WASHER	3	BSP1	
16	743119067	BOLT	2	M10×40 SWRM	
17	827419010	NUT	2	M10 SWRM	
18	0121452	SEPARATE HEAD	1	ADC	
19	0121832	BAFFLE	1	SUS304	
20	734705047	BOLT	2	M6×16 SUS	
21	734505276	BOLT	2	M6×8 SUS	
22	827405006	NUT	2	M6SUS	
23	846205006	WASHER	4	φ6 sus	
24	854255006	WASHER	2	φ6	
25	0118450	32A PLUG SET	1		
26	0121450	HEAD PACKING	1	NBR	
27	743119063	BOLT	4	M10×30 SWRM	
28	0110750	FLANGE PACKING	1	CR	
29	0121577	CHECK VALVE	1	NBR+SPHC	
30	0116188	SUCTION FLANGE	2	ADC	

◆ Bare engine can not be supplied



DWG No.066864106 MODEL : KTH-100S FORM : KTH-100S-BAB-0(GX390UT2)

No.	PARTS CODE	PARTS NAME	QTY	MATERIAL/SIZE	REMARKS
31	743119080	BOLT	8	M 12×35 SWRM	
32	0121443	FRONT COVER	1	ADC12	
33	0121453	HANDLE	2	PA6%+GF30%	
34	734520070	BOLT	4	M8×35	
35	0121444	VOLUTE CASING	1		
36	734705066	BOLT	3	SUS M8×25	
37	0116493	WASHER	3	A 1100 PH14	
38	0121917	O-RING	1	NBR G283×3.55	
39	0121916	O-RING	1	NBR G295×5.3	
40	0121449	KNOB	4	FC200	
41	0128440	BASE ASSY	1		
42	0121435	KTH-S SIDE PANEL LABEL	1		
43	0116172	CUSHION RUBBER	6	CR 60°	
44	0116273	RUBBER MOUNT	2	SPC T4.5	
45	743119076	BOLT	2	M12×25 SWRM	
46	827419012	NUT	2	M12 SWRM	
47	842319008	SPRING NUT	6	SWRM	
48	0121919	TOOL	1		
49	741305153	WING BOLT	1	M8×15 SUS	
50	012144601	NAME PLATE	1		
51	0116189	COUPLING	2	ADC	
52	0110471	HOSE NIPPLE	2	ADC	
53	0111478	COUPLING PACKING	2	NBR	
54	940407120	HOSE BAND	3	#72(48-127)	
55	0110979	KTH-100X STRAINER	1	SPC	
56	0114713	CAUTION LABEL	1		
57	0114718	CE MARK LABEL	1		
58	0116412	EU LABEL(106)	1	PET+PET	

◆ Bare engine can not be supplied